

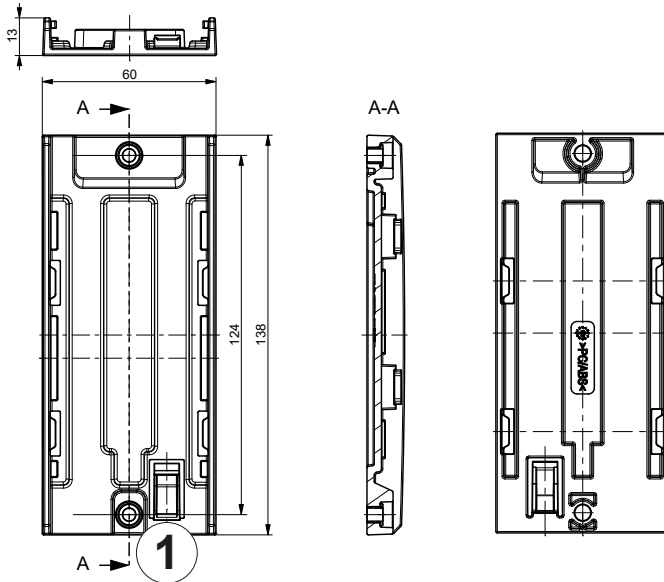
Mount and load carrier for installing the Kathrein RTLS-T-1000. The carrier is included in the scope of delivery of each RTLS-T-100 transponder (order number 53010002). However, it is also possible to acquire it separately to quickly exchange the RTLS-T-100 transponders.



> General Specifications

Order No.		52010003
Type		RTLS-T-MPC
Weight	[g]	40 incl. sockets
Dimensions	[mm]	138 x 60 x 13
Package size (L x W x H)	[mm]	90 x 0.15 tubular film
Degree of protection		outdoor
Material		PC/ABS

> Dimensions [mm]



> Mounting and Dismounting the Transponder

Mounting the Transponder

- ▶ Slide the transponder into the load carrier until you hear a clicking sound.
 - ⇒ The transponder locks in place.

Dismounting the Transponder

- ▶ Press the adapter tab (① in the picture above) using a suitable tool.
 - ⇒ The transponder can be now released from the load carrier.