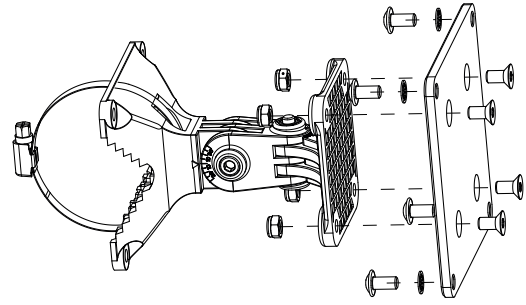


Wall/pole mounting for indoor and outdoor installation of RTLS-N nodes (up to 1.5 kg total weight).



> General Specifications

Order No.		53010006
Type		RTLS-N-WPM
Weight	[g]	165 (without the adapter plate and screws)
Mast diameter	[mm]	35–max. 65
Max. load-bearing capacity	[kg]	1.5
Dimensions	[mm]	115 x 115 x 113 (with the adapter plate)
Package size (L x W x H)	[mm]	200 x 0.15 tubular film
Material		anvilNITE, silicon free

> Scope of Delivery

- 1 x wall/pole mounting
- 1 x adapter plate
- 4 x M6x12 TX countersunk bolts
- 4 x washers
- 4 x M6x12 Torx screws
- 4 x M6 locking nuts
- hose clamp

> Selecting the Installation Site

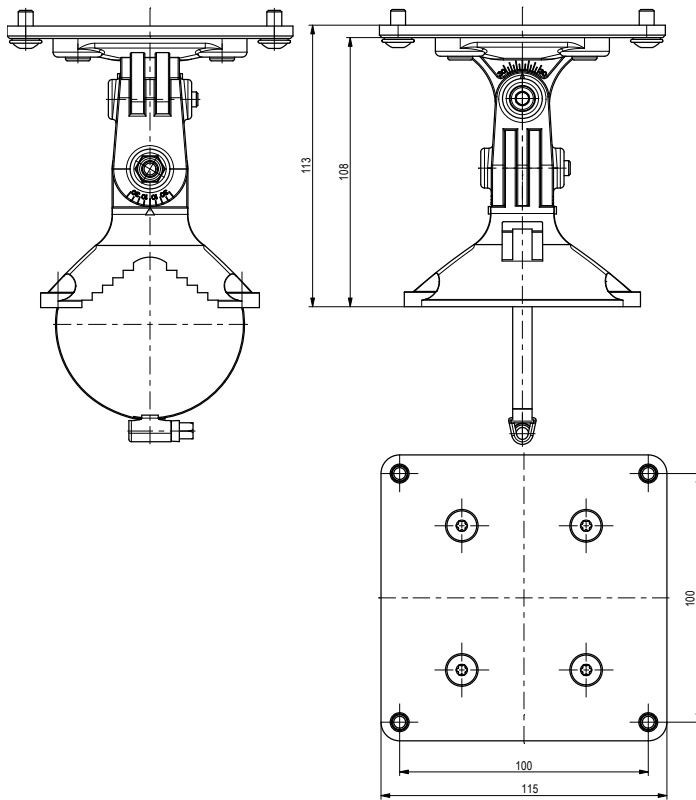


WARNING

Danger to life due to electric shock!

- ▶ Before drilling the holes, make sure there are no electrical cables in the wall.
- ▶ Make sure that the wall/mast have sufficient load-bearing capacity.
- ▶ Make sure to use suitable fastenings (not included in the scope of delivery).
- ▶ If necessary, reinforce the wall at the chosen installation location or use a different mast.

> Dimensions [mm]



> Mounting the Mounting Kit

